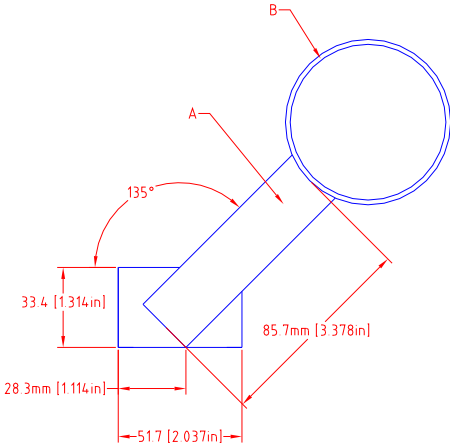
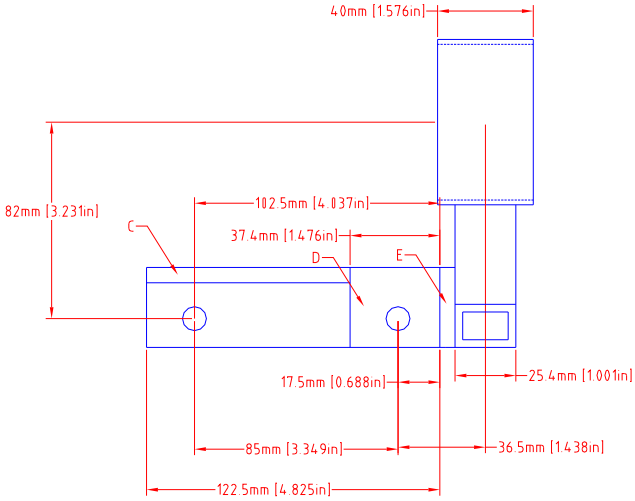
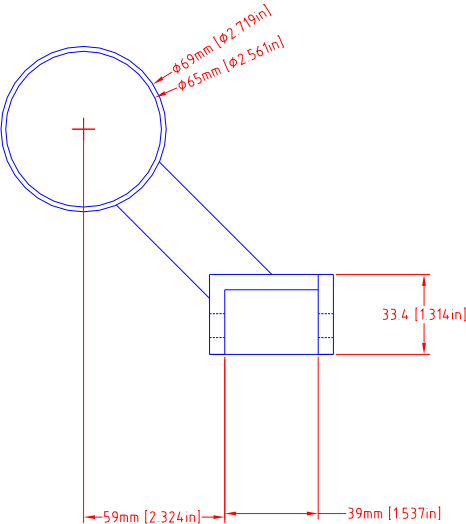
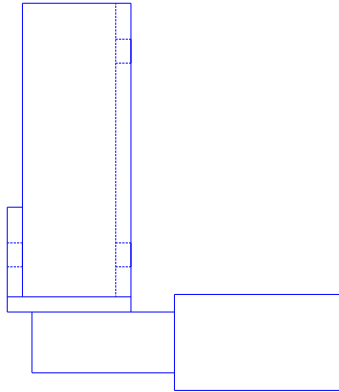


02J into A1

- PARTS LIST:**
A: 1"x1/8" SQUARE TUBING, 85.7mm
B: ROUND STOCK, 69mm OD, 65mm ID, 40mm LONG
C: 1-1/2"x1-1/2"x1/4" ANGLE, 122.5mm LONG
D: 1/4" FLATBAR, 37.5mm x 33.35mm
E: 1/4" FLATBAR, 51.7mm x 33.35mm



Status: Not yet prototyped